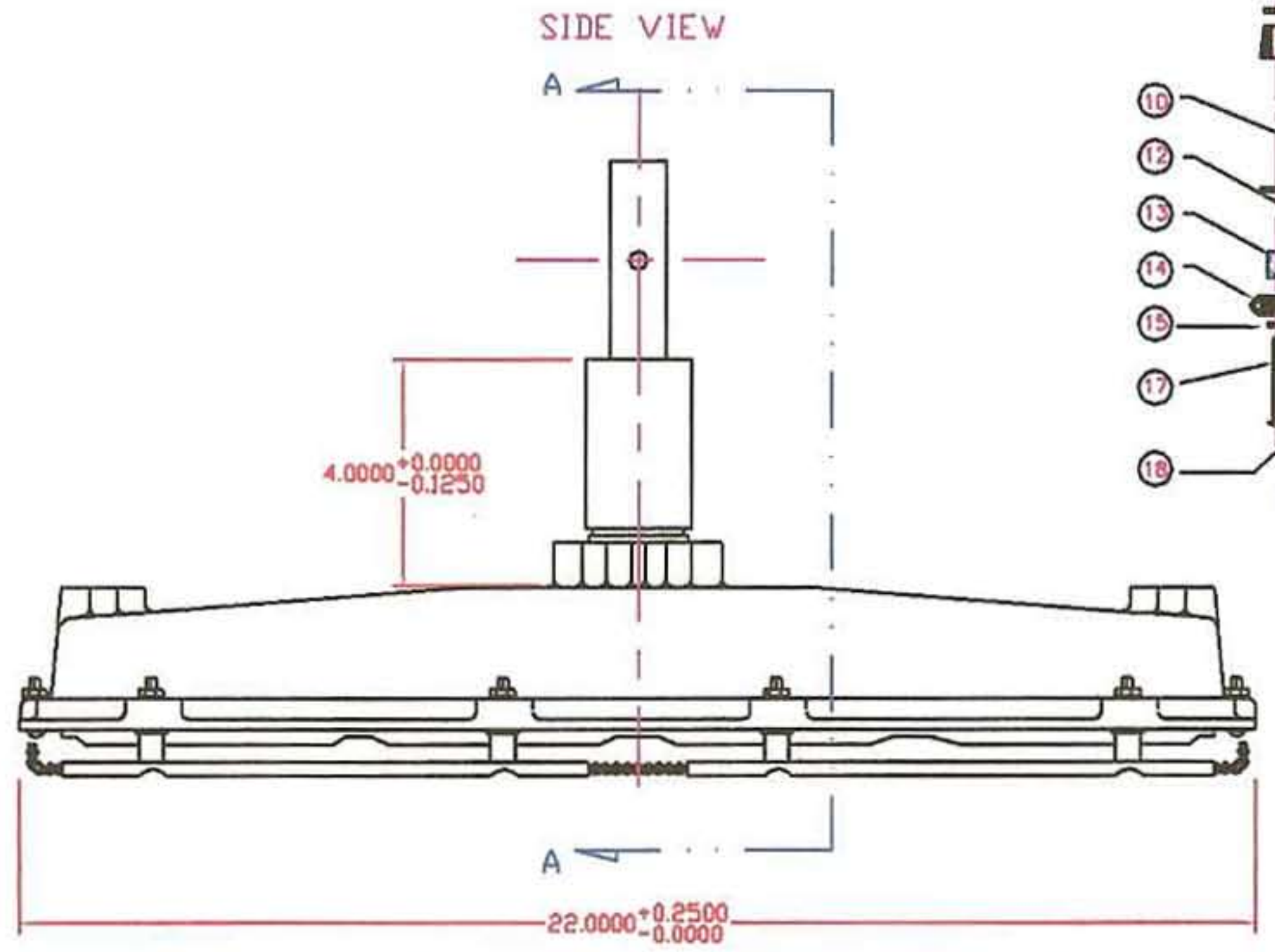
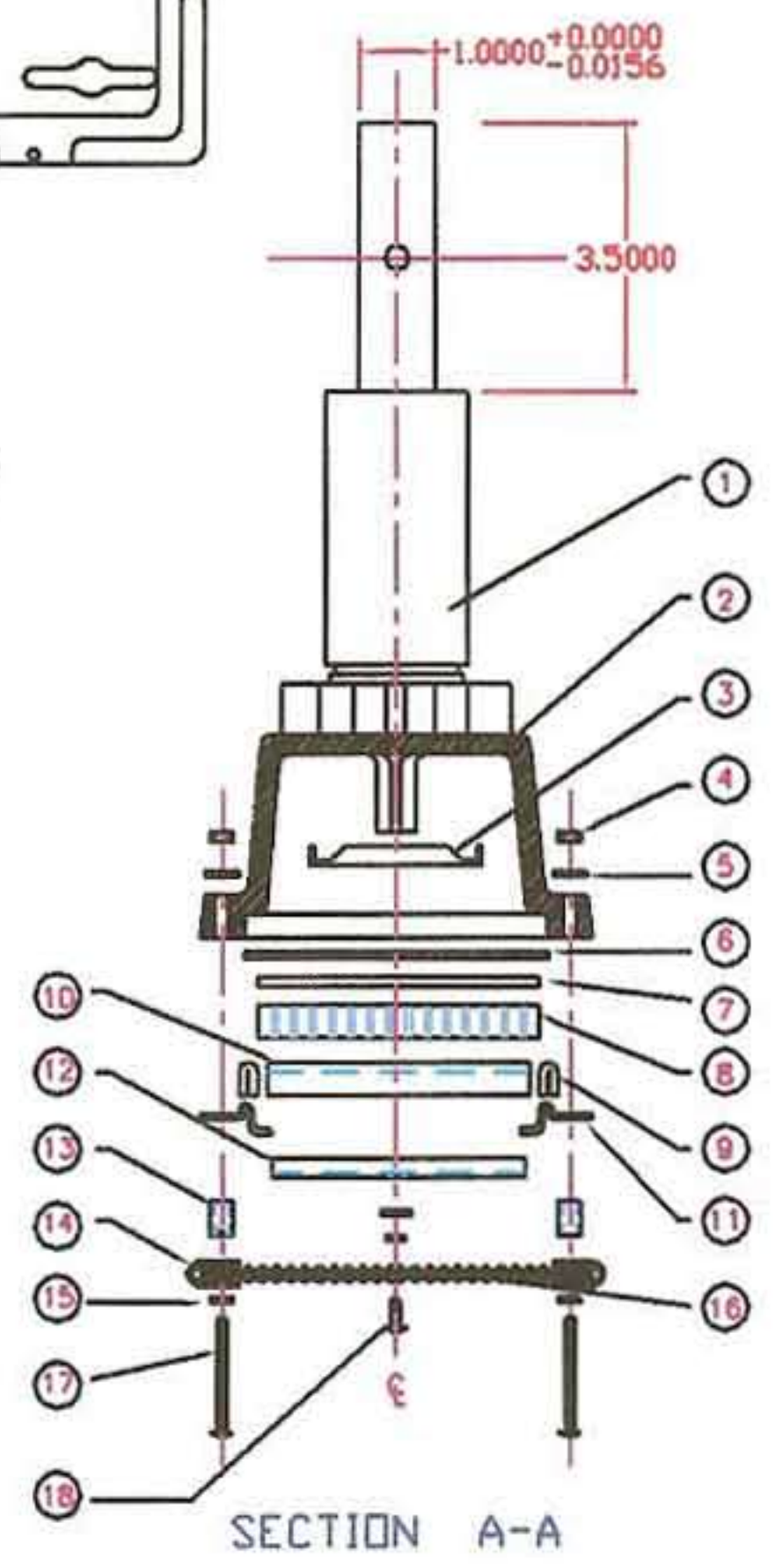


522 - 20,000 BTU/HR MAXIMUM 250 BTU/in<sup>2</sup>



ASSEMBLY



ITEM	PART NO.	DWG. NO.	PART	QTY.
1	J-1-522	522-J-1-522	BURNER / MANFOLD ADAPTER	1
2	J-2-522	522-J-2-522	BURNER HOUSING	1
3	J-5010	522-J-5010	BAFFLE	1
4	**	**	#8-32 S.S. NUT	10
5	**	**	#8 S.S. LOCK WASHER	12
6	J-5060	522-J-5060	WEB PLATE (I-BAR)	3
7	J-5146	522-J-5146	WEB PLATE GASKET 1/8 x 3/8 x 3-11/16	3
8	J-5020	522-J-5020	BURNER RADIANT TILE	4
9	J-5142	522-J-5142	SIDE GASKET 1/8 x 3/4 x 21-1/2	2
10	J-5148	522-J-5148	END GASKET 1/8 x 3/4 x 3-5/8	2
11	J-5051	522-J-5051	SIDE TILE RETAINER	4
12	J-5050	522-J-5050	END GASKET RETAINER	2
13	J-5120	522-J-5120	SCREEN SPACER	8
14	J-2040	522-J-2040	SCREEN CHANNEL	4
15	**	**	#8 S.S. FLAT WASHER	12
16	J-6000	522-J-6000	SCREEN	1
17	**	**	#8-32 x 1-1/2 S.S. MACHINE SCREW	8
18	J-5052 SET		#8-32 x 3/8 S.S. MACHINE SCREW	4

**JFS SWINEHART CO., INC.**  
 1378 W. MAIN STREET  
 P. O. BOX 519  
 TOSHTITA, OHIO 44874  
 A Hawley Company

JFS 522-1000

DESIGNED BY	DATE	SCALE
CHECKED BY	5-26-90	
PROJECT NO.	JFS	
DRAWN BY		
JFS-522-1000		